

Safety pattern type direct reading thermometer solid-front turret style thermoplastic case

Model : T359

Spec. sheet no. TD03-01

Service intended

This thermometer is used for measuring temperature of corrosive and non-corrosive fluid in all industries. It operates in aggressive and non-aggressive environment. Linear dials and temperature compensate line assure an accurate temperature indication at varying ambient conditions.



Nominal diameter

125 mm

Accuracy

±2.0 % of full scale

Measuring system (SAMA class IIIB)

Organic gas : 0 ~ 200 °C
Inert gas : -200 ~ 700 °C

Working range

Maximum scale value



Standard features

Location of stem

Bottom connection, direct
Lower back connection, direct

Stem

6.4, 8.0, 10.0 and 12.0 mm
316SS and 316L SS

Case and cover

Black glass reinforced thermoplastic (PBTB)
Solid front, blow-out back
Turret style case with built in rear flange lugs

Zero adjustment

Internal

Window

Polycarbonate

Stem, process connection

3/8", 1/2", 3/4" PT, NPT and PF

Dial

White aluminium with black graduation

Option

Special accuracy, ±1.0 % of full scale

Pointer

Black painted aluminium alloy

Certificates

ATEX Ex II GD c IIB TX

1. Base model

T359 Safety pattern type direct reading thermometer
solid-front turret style thermoplastic case

2. Nominal diameter (mm)

5 125

3. Type of mounting

B Bottom connection, direct, surface, case mounting lugs
L Lower back connection, direct, case center mounting lugs

4. Stem material

1 316SS
2 316L SS

5. Stem, process connection

A None
D 3/8"
E 1/2"
F 3/4"

6. Stem connection type (CF: Compression fitting)

A None
E CF + PT
F CF + NPT
G CF + PF
H MT + PT (Movable thread)
I MT + NPT (Movable thread)
J MT + PF (Movable thread)

7. Stem outer diameter (mm)

2 8.0
3 10.0
4 12.0
Z Other

8. Range

XXX Refer to scale range table

9. Insertion length

X Refer to insertion length table

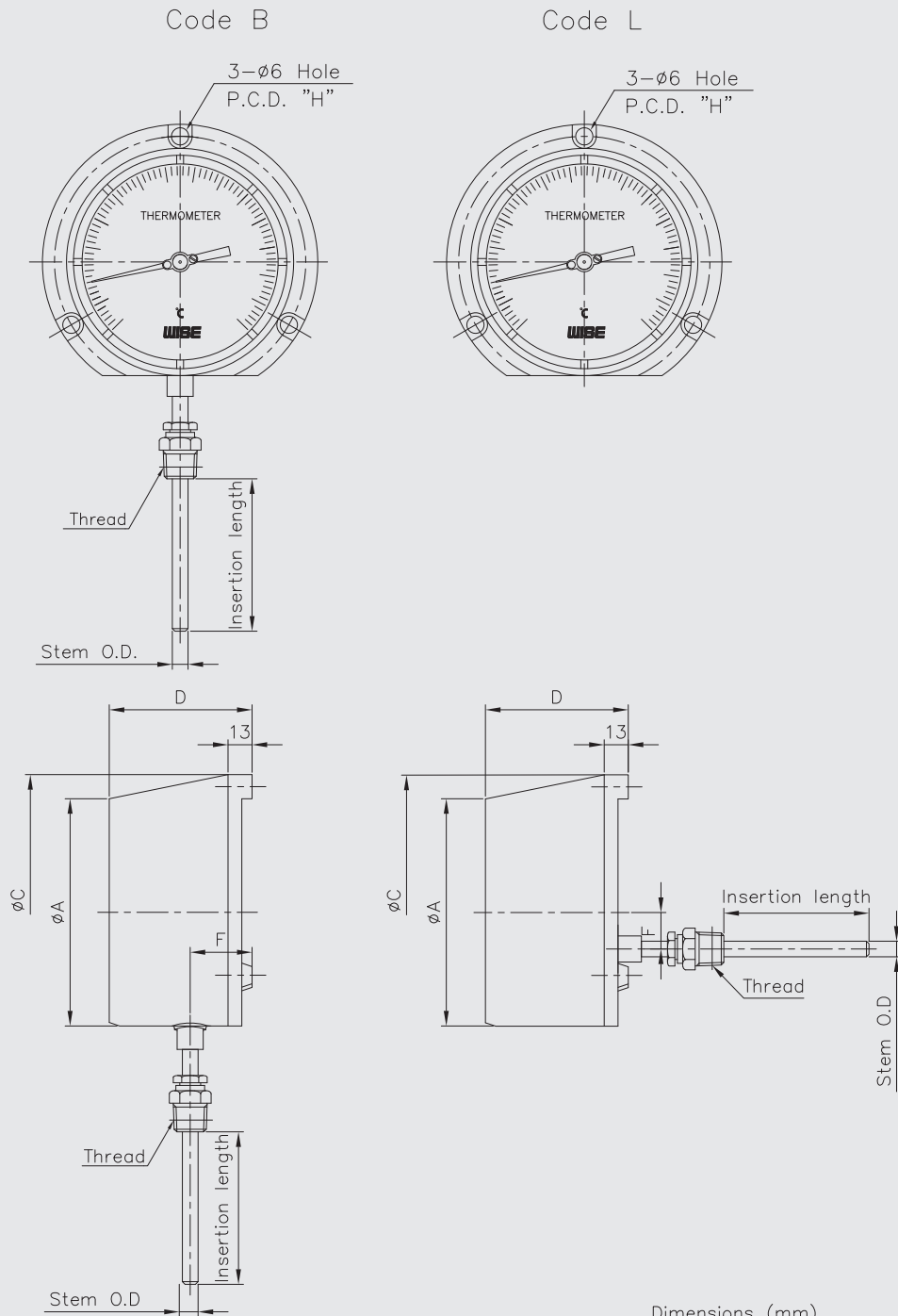
10. Accessories

0 None
1 Thermowell
2 Special accuracy ($\pm 1.0\%$ of full scale)
3 Thermowell and special accuracy

1	2	3	4	5	6	7	8	9	10
T359	5	B	1	E	C	3	XXX	X	1

Sample
ordering code

T359 : Type of mounting



Dial Size	Available code	A	C	D±2	F±1	H
125	B	129	149.5	82.5	37.5	137.5
	L	129	149.5	82.5	27	137.5

Scale ranges

Code	Scale range (°C)	Scale spacing (°C)	Minimum stem length (mm)		
			8.0	10.0	12.0
031	-200 ~ 100	5	500	500	500
032	-50 ~ 50	2	100	85	65
037	-50 ~ 100	5	100	85	65
054	-30 ~ 50	2	100	88	65
059	-30 ~ 100	5	100	85	65
061	-30 ~ 120	2	100	85	65
069	-20 ~ 50	2	100	85	65
074	-20 ~ 100	2	100	85	65
079	-20 ~ 150	5	100	85	65
084	-10 ~ 50	1	100	85	65
099	0 ~ 50	1	100	85	65
100	0 ~ 60	1	100	85	65
101	0 ~ 70	2	100	85	65
102	0 ~ 80	1	100	85	65
104	0 ~ 100	2	100	85	65
106	0 ~ 120	2	100	85	65
109	0 ~ 150	2	100	85	65
114	0 ~ 200	5	100	85	65
119	0 ~ 250	5	100	85	65
124	0 ~ 300	5	100	85	65
129	0 ~ 350	5	100	85	65
134	0 ~ 400	5	100	85	65
144	0 ~ 500	10	100	85	65
154	0 ~ 600	10	100	85	65
164	0 ~ 700	10	100	85	65

* 0 ~ 700 °C/Special range

* -200 ~ 100 °C/Special range

Insertion length

Code	1	2	3	4	5	6	7	8	9	A	B	C
Length (mm)	50	60	70	80	100	120	130	150	175	200	225	250

Code	D	E	F	G	H	J	K	L	M	N	P
Length (mm)	275	300	350	375	400	450	500	550	1,000	1,500	2,000