

# Bimetal thermometer with electrical contact

**Model : T751(H), T752(H/L), T753(L), T754(H/HH)**

Spec. sheet no. TD07-03

## Service intended

Contact type temperature gauge is installed with electric contact actuated by pointer. It provides the function which electrical circuit can be opened or closed by manual setpoint. It is applicable where signal is required (Audible or visual alarm) for control of resistance or any other application with auxiliary relay and contact.

## Nominal diameter

100 mm

## Accuracy

±2.0 % of full scale

## Temperature element

Coiled bimetal

## Working range

Maximum scale value

## Degree of protection

EN60529/IEC529/IP65



## Standard features

### Location of stem

Bottom connection, direct  
Center back connection, direct

### Case

304SS

### Cover

304SS

### Window

Acrylic

### Dial

White aluminium with black graduation

### Contacts

Maximum voltage : 250 V AC  
Contact rating : AC 220 V, 0.25 A  
DC 100 V, 0.5 A  
With max. no of contact : 2 sets per gauge

### Pointer

Black painted aluminium alloy

### Stem

6.0, 6.4, 8.0 and 10.0 mm  
304SS, 316SS and 316L SS

### Stem, process connection

¼", ⅜", ½", ¾" PT, NPT and PF

### Option

±1.0 % of full scale

**1. Base model**

- T751** Bimetal thermometer with electric contact (High alarm)
- T752** Bimetal thermometer with electric contact (High and low alarm)
- T753** Bimetal thermometer with electric contact (Low alarm)
- T754** Bimetal thermometer with electric contact (High and high alarm)

**2. Nominal diameter (mm)**

- 4** 100

**3. Type of mounting**

- W** Bottom connection, direct
- X** Center back connection, direct

**4. Stem material**

- 0** 304SS
- 1** 316SS
- 2** 316L SS

**5. Stem, process connection**

- A** None
- C** ¼"
- D** ⅜"
- E** ½"
- F** ¾"

**6. Stem connection type (CF: Compression fitting)**

- A** None
- E** CF + PT
- F** CF + NPT
- G** CF + PF
- H** MT + PT (Movable thread)
- I** MT + NPT (Movable thread)
- J** MT + PF (Movable thread)
- S** Clamp (Sanitary type flange)

**7. Stem outer diameter (mm)**

- 0** 6.0
- 1** 6.4
- 2** 8.0
- 3** 10.0 (Not available process connection, ¼")

**8. Range**

- XXX** Refer to scale range table

**9. Insertion length**

- X** Refer to insertion length table

**10. Accessories**

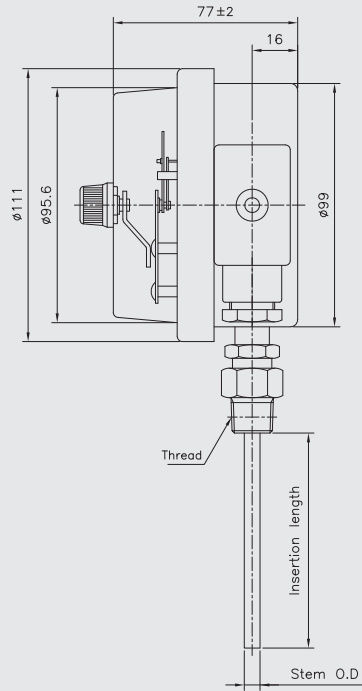
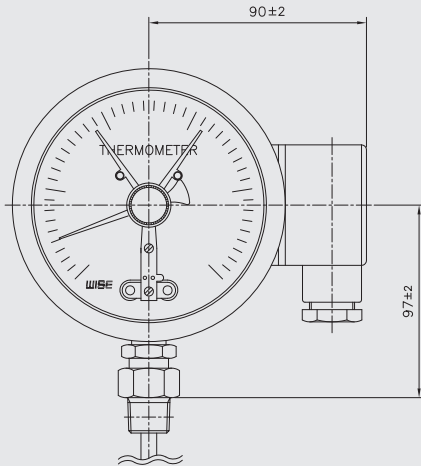
- 0** None
- 1** Thermowell
- 2** Special accuracy (±1.0 % of full scale)
- 3** Thermowell and special accuracy

1	2	3	4	5	6	7	8	9	10
T751	4	W	0	E	C	3	XXX	X	1

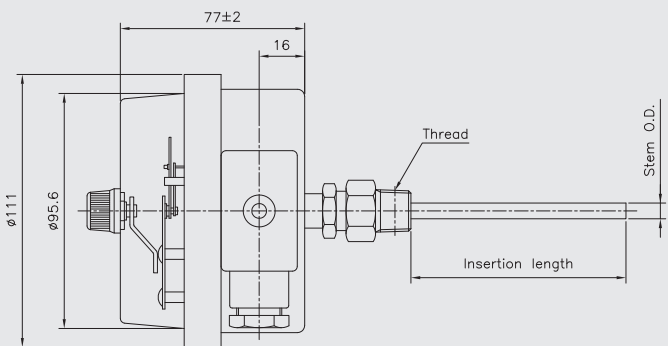
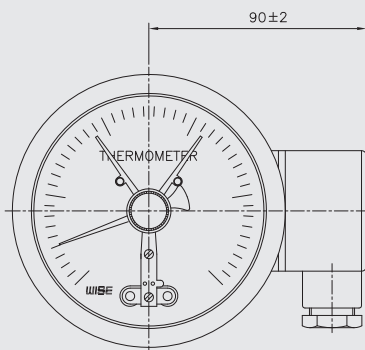
Sample  
ordering code

# T75X : Type of mounting

Code W



Code X



## Snap-action contacts

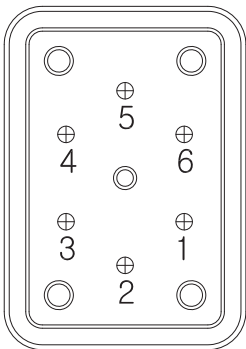
### General

Electromechanical limit switches in pointer type measuring instruments are auxiliary current switches which open or close electrical circuits at set limit value by means of a contacts arm which is moved by the actual value pointer. The snap action contact is a mechanical contact for switching capacities up to 30 W 50 VA max. Contact making will be delayed or advanced in relation to the movement of the actual value pointer. To closed the circuit, the contact pin of the movable contact arm is attracted in a jump by the permanent magnet fasten to the supporting arm shortly before the set value has been reached. Due to the retention force of the magnet, snap action contacts are more resistance against shock and vibration. The switching safety is increased by the increased contact pressure. When the circuit is opened, the magnet keeps the contact arm in its place until the restoring force of the measuring element exceeds the magnetic force, and the contact opens in a jump.

### Technical data

Normal operating voltage	Max. 250 V
Making and breaking current	Max. 1.0 A
Permanent current	Max. 0.6 A
Switching capacity	Max. 30 W 50 VA
Contact material	Ag80-Ni20
Switching accuracy	Approx. 2-5 % of full scale value
No. of contact	Max. 2

## Terminal block arrangement



### 1. High alarm (S/M-1)

- ① Normal open
- ② Common
- ④ Ground

### 2. High and low alarm (S/M-21)

#### Low alarm

- ① Normal close
- ② Common
- ④ Ground

#### High alarm

- ② Common
- ③ Normal open

### 3. Low alarm (S/M-2)

- ① Normal close
- ② Common
- ④ Ground

|

### 4. Two high alarm (S/M-11)

#### No.1 High alarm

- ① Normal open
- ② Common
- ④ Ground

#### No.2 High alarm

- ② Common
- ③ Normal open

### 5. Two low alarm (S/M-22)

#### No.2 Low alarm

- ① Normal close
- ② Common
- ④ Ground

#### No.1 Low alarm

- ② Common
- ③ Normal close

### 6. Failsafe high and low alarm (S/M-12)

#### High alarm

- ② Common
- ③ Normal close
- ④ Ground

#### Low alarm

- ① Normal open
- ② Common

## Scale ranges

Code	Scale range (°C)	Scale spacing (°C)	Minimum stem length (mm)	
			6.0 and 6.4	8.0 and 10.0
032	-50 ~ 50	2	55	50
037	-50 ~ 100	5	45	35
054	-30 ~ 50	2	70	60
059	-30 ~ 100	5	50	45
061	-30 ~ 120	2	45	35
069	-20 ~ 50	2	80	70
074	-20 ~ 100	2	45	45
079	-20 ~ 150	5	40	35
084	-10 ~ 50	1	95	80
099	0 ~ 50	1	110	70
100	0 ~ 60	1	95	80
101	0 ~ 70	2	80	60
102	0 ~ 80	1	70	90
104	0 ~ 100	2	55	50
106	0 ~ 120	2	50	45
109	0 ~ 150	2	45	35
114	0 ~ 200	5	35	35
119	0 ~ 250	5	35	30
124	0 ~ 300	5	35	25
129	0 ~ 350	5	30	25
134	0 ~ 400	5	80	65
144	0 ~ 500	10	70	60
154	0 ~ 600	10	70	60

## Insertion length

Code	1	2	3	4	5	6	7	8	9	A	B	C
Length (mm)	50	60	70	80	100	120	130	150	175	200	225	250

Code	D	E	F	G	H	J	K	L	M	N	P
Length (mm)	275	300	350	375	400	450	500	550	1,000	1,500	2,000

A large empty rectangular box with a thin black border, intended for writing a memo.