

Remote reading thermometer with electrical contact

Model : T761(H), T762(H/L), T763(L), T764(H/HH)

Spec. sheet no. TD07-04

Service intended

Contact type temperature gauge is installed with electrical contact actuated by pointer. It provides the function which electrical circuit can be opened or closed by manual setpoint. It is applicable where signal is required (Audible or visual alarm) for control of resistance or any other application with auxiliary relay and contact.



Nominal diameter

100 mm

Accuracy

±2.0 % of full scale

Measuring system (SAMA class IIIB)

Organic gas : 0 ~ 200 °C

Inert gas : -200 ~ 700 °C

Working range

Maximum scale value



Standard features

Location of stem and mounting

Bottom connection, surface, case mounting
Lower back connection, flush, case lower mounting
Lower back connection, flush, case center mounting

Case

304SS

Cover

304SS

Capillary

Capillary : 1.6/0.2 mm, 316SS
Armored tube : 7.5/5.5 mm, 304SS

Window

Acrylic

Dial

White aluminium with black graduation

Contacts

Maximum voltage : 250 V AC
Contact rating : AC 220 V, 0.25 A
DC 100 V, 0.5 A
With max. no of contact : 2 sets per gauge

Pointer

Black finished brass

Stem

8.0, 10.0 and 12.0 mm
316SS and 316L SS

Stem, process connection

3/8", 1/2", 3/4" PT, NPT and PF

Option

±1.0 % of full scale

WISE[®]

| T760 Series_01

1. Base model

- T761** Remote reading thermometer with electrical contact (High alarm)
- T762** Remote reading thermometer with electrical contact (High and low alarm)
- T763** Remote reading thermometer with electrical contact (Low alarm)
- T764** Remote reading thermometer with electrical contact (High and hi/high alarm)

2. Nominal diameter (mm)

- 4 100

3. Type of mounting

- B** Bottom connection, surface, case mounting plate
- K** Lower back connection, surface, case lower mounting plate
- L** Lower back connection, flush, case center mounting plate

4. Stem material

- 1 316SS
- 2 316L SS

5. Stem, process connection

- A** None
- D** 3/8"
- E** 1/2"
- F** 3/4"

6. Stem connection type (CF: Compression fitting)

- A** None
- E** CF + PT
- F** CF + NPT
- G** CF + PF
- H** MT + PT (Movable thread)
- I** MT + NPT (Movable thread)
- J** MT + PF (Movable thread)

7. Stem outer diameter (mm)

- 2 8.0
- 3 10.0
- 4 12.0 (Standard)
- Z Other

8. Range

- XXX** Refer to scale range table

9. Capillary length (m)

- P** 2
- Q** 3
- S** 5
- V** 8
- X** 10
- Z** Other

10. Accessories

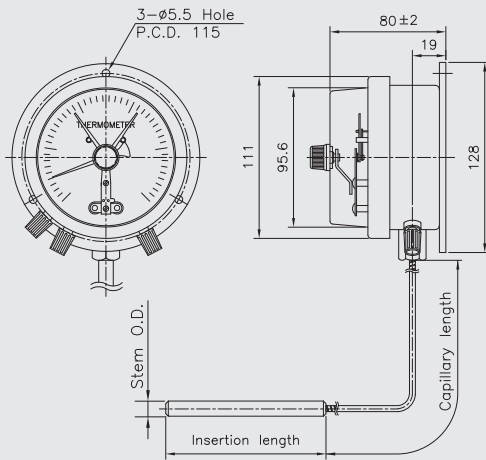
- 0** None
- 1** Thermowell
- 2** Special accuracy ($\pm 1.0\%$ of full scale)
- 3** Thermowell and special accuracy

1	2	3	4	5	6	7	8	9	10
T761	4	B	1	E	C	4	XXX	P	1

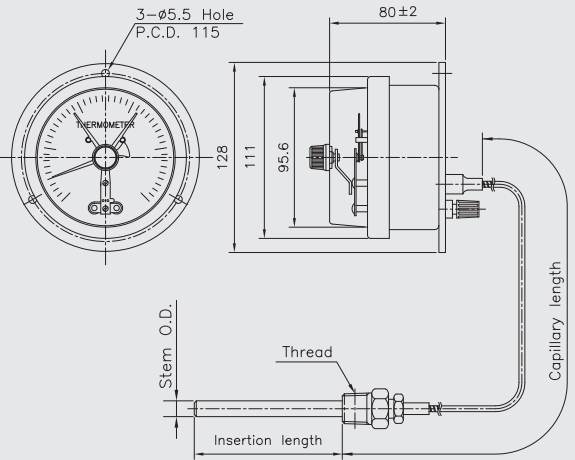
Sample
ordering code

T76X : Type of mounting

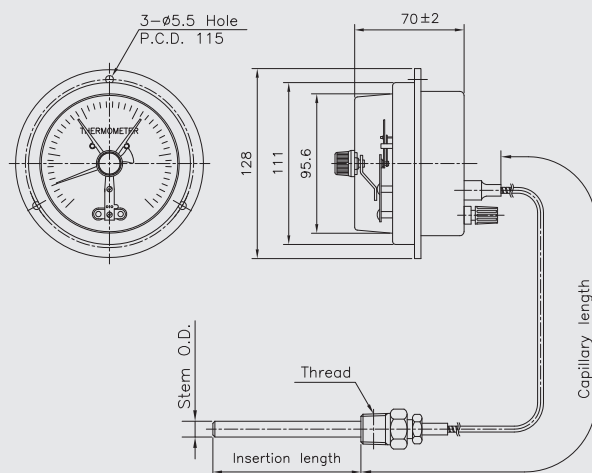
Code B



Code K



Code L



Scale ranges

Code	Scale range (°C)	Scale spacing(°C)	Minimum stem length (mm)			Standard stem length (mm)		
			8.0	10.0	12.0	8.0	10.0	12.0
032	-50 ~ 50	2	100	85	65	200	130	100
037	-50 ~ 100	2	100	88	65	200	130	100
054	-30 ~ 50	2	100	85	65	200	130	100
059	-30 ~ 100	2	100	85	65	200	130	100
061	-30 ~ 120	2	100	85	65	200	130	100
069	-20 ~ 50	2	100	85	65	200	130	100
074	-20 ~ 100	2	100	85	65	200	130	100
079	-20 ~ 150	5	100	85	65	200	130	100
084	-10 ~ 50	1	100	85	65	200	130	100
099	0 ~ 50	1	100	85	65	200	130	100
100	0 ~ 60	1	100	85	65	200	130	100
101	0 ~ 70	2	100	85	65	200	130	100
102	0 ~ 80	2	100	85	65	200	130	100
104	0 ~ 100	2	100	85	65	200	130	100
106	0 ~ 120	2	100	85	65	200	130	100
109	0 ~ 150	5	100	85	65	200	130	100
114	0 ~ 200	5	100	85	65	200	130	100
119	0 ~ 250	5	100	85	65	200	130	100
124	0 ~ 300	5	100	85	65	200	130	100
129	0 ~ 350	5	100	85	65	200	130	100
134	0 ~ 400	10	100	85	65	200	130	100
144	0 ~ 500	10	100	85	65	200	130	100
154	0 ~ 600	10	100	85	65	200	130	100
164	0 ~ 700	10	100	85	65	200	130	100

* 0 ~ 700 °C/Special range

Insertion length

Code	1	2	3	4	5	6	7	8	9	A	B	C
Length (mm)	50	60	70	80	100	120	130	150	175	200	225	250

Code	D	E	F	G	H	J	K	L	M	N	P
Length (mm)	275	300	350	375	400	450	500	550	1,000	1,500	2,000