

Sanitary pressure gauge - Male connection (3-A marking)

Model: P753S series

Spec. sheet no. PD07-06

Service intended

P753S series have diaphragm seal to be combined with a pressure gauge. These series are suitable to be used for the situation where corrosive, contaminated, hot, and viscous pressure mediums are present, and it could be used for a chemical, food, beverage, biochemical, and pharmaceutical industry.



Special features

3-A certificated
Suitable for SIP and CIP
All stainless steel and welded construction

Nominal diameter

63 and 100 mm

Accuracy

±1.6 % of full scale
If scale range less than 100 psi : ±2.0% of full scale

Scale range

0 ~ 3.5 MPa, single

Working pressure

Steady pressure : 75 % of full scale value
Fluctuating pressure : 67 % of full scale value

Operating temperature

Ambient : -20 ~ 65 °C
Fluid : Max. 121 °C

Temperature effect

Accuracy at temperature above and below the reference temperature (20 °C) will be effected by approximately ±0.5 % per 10 °C of full scale



Standard features

Process connection

DIN Round thread 28-8

Case and cover

Stainless steel (304SS)
Electropolished with pressure relief

Window

Safety glass

Movement

Stainless steel

Dial

White aluminium, with pointer stop pin
With black/red lettering, dual pressure scale

Pointer

Black painted aluminium alloy

Helium leak rate

Tested to confirm leakage rates of less than 10^{-8} mbar • l /sec

System filling

Food grade oil (FDA certified)

O-ring

Supplied by FDA approved Supplier (Viton)

Option

Material of wetted parts : Electropolished 316L SS

1. Base model**P753S** Sanitary pressure gauge - Male connection (3-A marking)**2. Nominal diameter and mounting type****7A** 63 mm, bottom connection (refer to code A)**8A** 100 mm, bottom connection (refer to code A)**3. Body and process connection material****D** 316SS**4. Process connection****F** DIN Round thread 28-8**5. Unit****H** bar**I** MPa**J** kPa**6. Range****XXX** Refer to pressure range table**7. Diaphragm material****E** 316L SS**8. Option****0** None**1** Accessories**Sample ordering code**

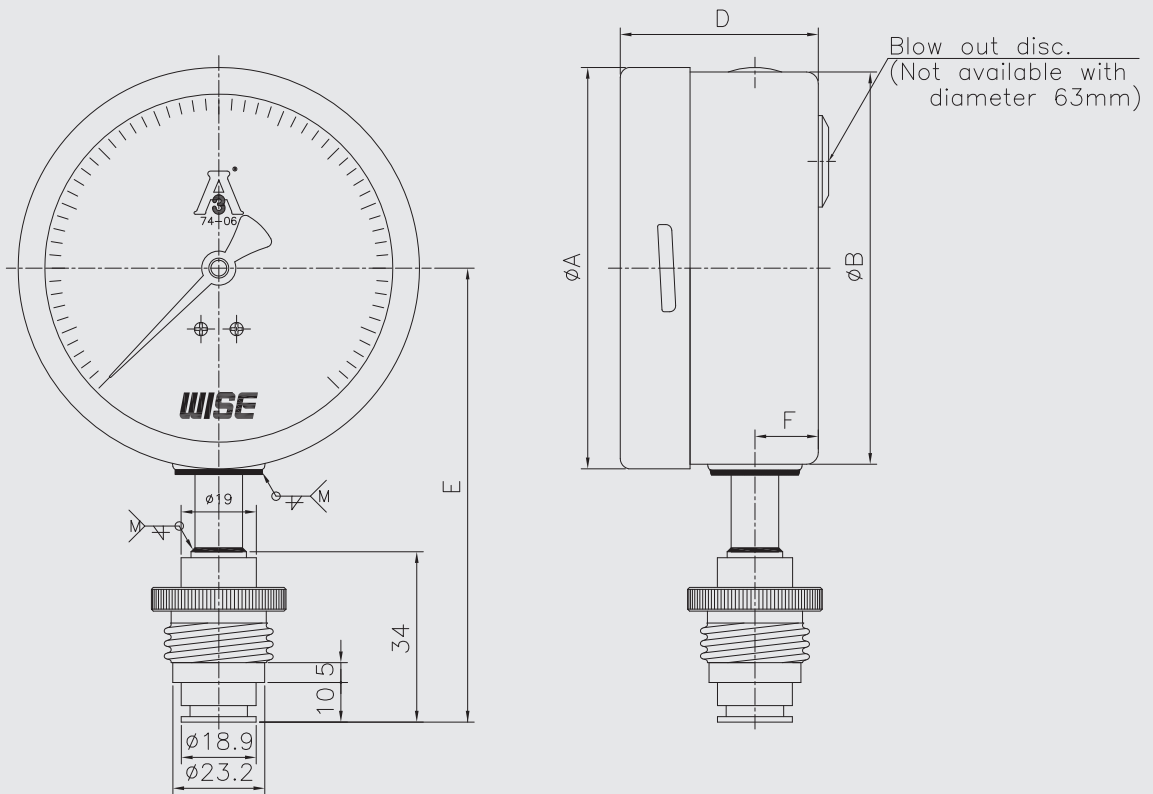
1	2	3	4	5	6	7	8
P753S	8A	D	F	H	XXX	E	0



© WISE Control Inc. All rights reserved. ALL PRODUCT, PRODUCT SPECIFICATIONS AND DATA ARE SUBJECT TO CHANGE WITHOUT NOTICE TO IMPROVE RELIABILITY, FUNCTION OR DESIGN OR OTHERWISE.

P753S : Type of mounting

Code A



Dimensions (mm)

Dial size	Available code	A	B	$D \pm 2$	$E \pm 2$	$F \pm 1$
63	A	64	62	34	77.5	11
100	A	101.3	99	50	102.5	16

Range table

Range and code	Unit and code		Pressure connection
	H : bar	I : MPa	$\frac{3}{4}$ "
042	0 ~ 2	0 ~ 0.2	O
044	0 ~ 4	0 ~ 0.4	O
045	0 ~ 6	0 ~ 0.6	O
047	0 ~ 10	0 ~ 1	O
050	0 ~ 15	0 ~ 1.5	O
051	0 ~ 20	0 ~ 2	O
052	0 ~ 25	0 ~ 2.5	O
054	0 ~ 35	0 ~ 3.5	O

O : Available